

SATURN SPEAKER

MOUNTING INSTRUCTIONS

(Direct to ceiling or gangbox)



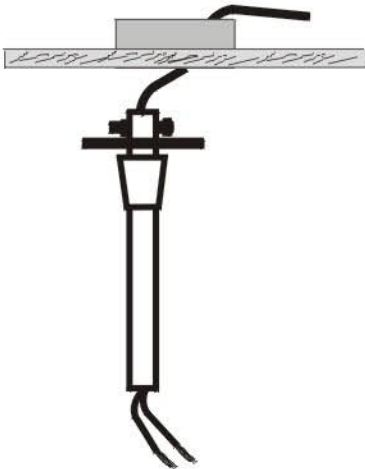
1. Slide the plastic cap into the pipe.



2. Slide the metal plate into the pipe next to the plastic cap.



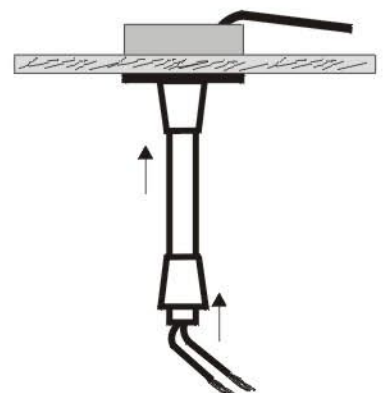
3. Screw in the nut and bolt into hole at the end of the pipe.



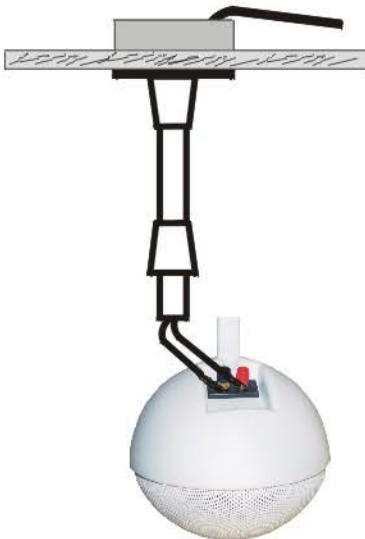
4. Run wire thru 1" pipe. Make sure you have enough to reach speaker terminal at the other end of the pipe.



5. Screw the metal plate directly to the ceiling or to the gangbox.



6. Slide the cap all the way to the metal plate and slide in the other cap at the other end of the pipe.



7. Connect speaker wire to the terminals of the Saturn speaker.



8. Insert pole over the body stem of the Saturn speaker and add screw in with 1/4" x 20 screw.



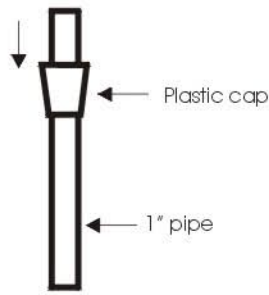
9. Slide down the plastic cap until it touches the speaker.

COMPLETED INSTALLATION.

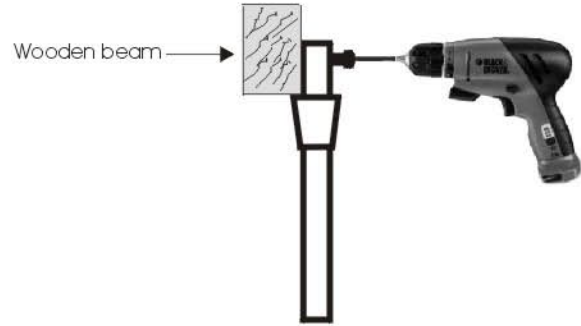
SATURN SPEAKER

MOUNTING INSTRUCTIONS

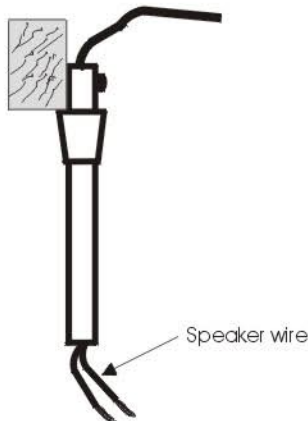
(Direct to beam)



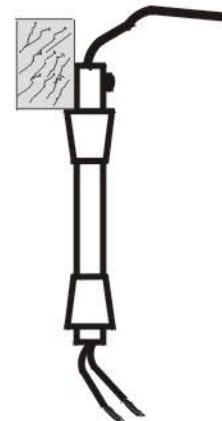
1. Slide the plastic cap into the pipe.



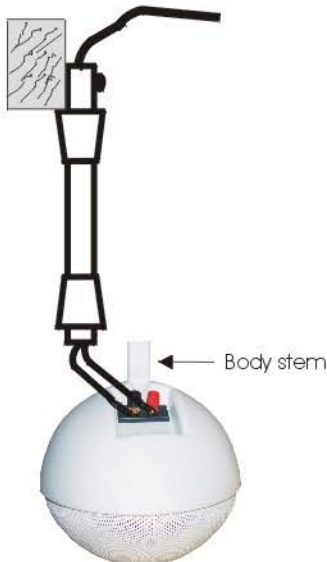
2. Screw in one end of the pipe into the beam.



3. Run wire thru 1" pipe. Make sure you have enough to reach speaker terminal at the other end of the pipe.



4. Slide the second cap at the lower end of the pipe.



5. Connect speaker wire to the terminals of the Saturn speaker.



6. Insert pipe over the body stem of the Saturn speaker and add screw in with 1/4" x 20 screw.



7. Slide down the plastic cap until it touches the speaker.

COMPLETED INSTALLATION.